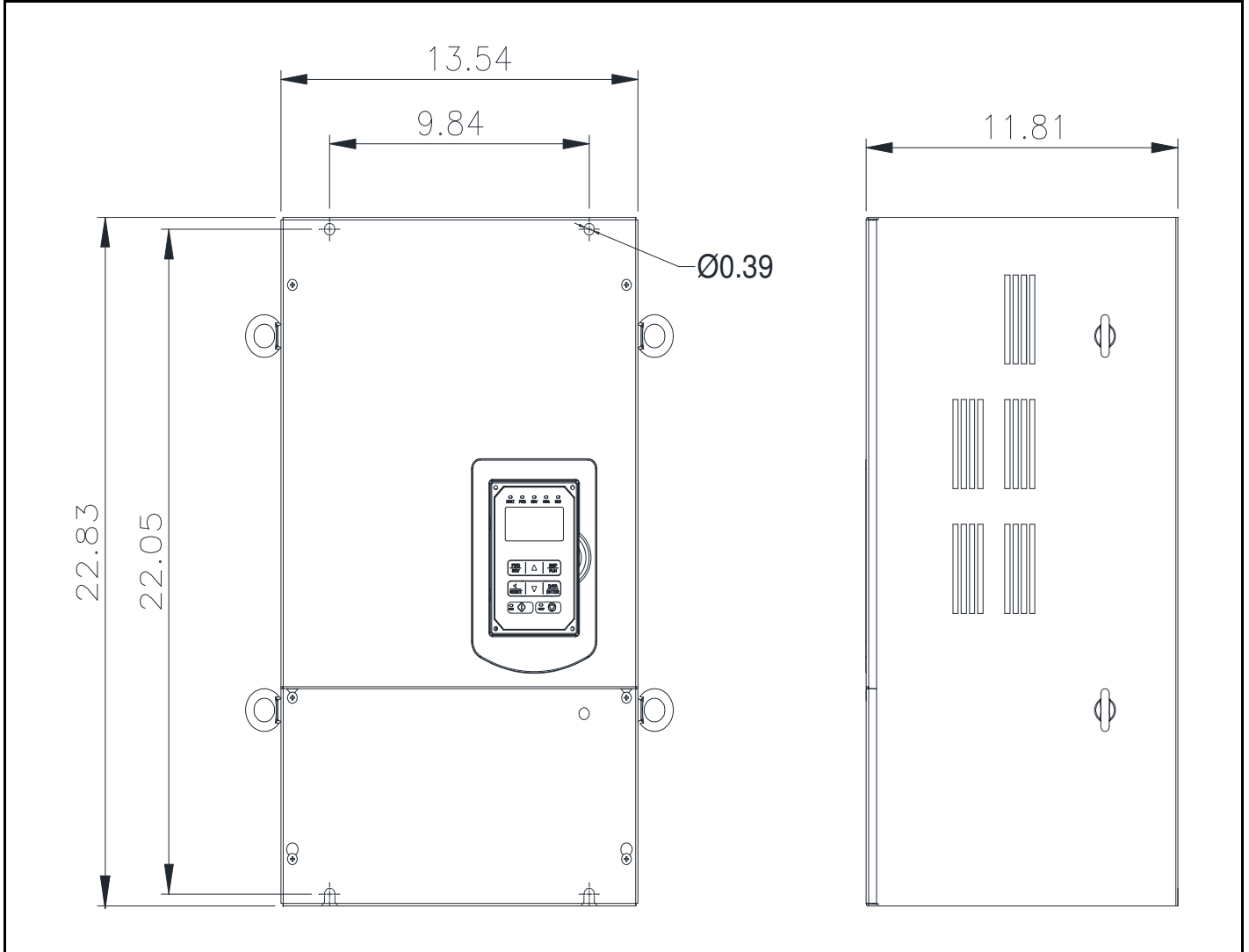


## GENERAL DATASHEET VARIABLE SPEED DRIVE

Series <b>A510</b>				MODEL# <b>A510-6150-C3-UE</b>	
ISSUED <b>12/30/2019</b>				ENCLOSURE/ FRAME <b>Open Chassis (IP00) / F6</b>	
INPUT AMPS		AC INPUT VOLTAGE <b>600-690</b>	AC INPUT FREQUENCY <b>50/60</b>	AC INPUT PHASE <b>3</b>	
HD (CT) <b>144</b>	ND (VT) <b>162</b>				
OUTPUT HP		AC OUTPUT VOLTAGE <b>0-690</b>	AC OUTPUT FREQUENCY <b>0-599</b>	AC OUTPUT PHASE <b>3</b>	
OUTPUT AMPS					
HD (CT) <b>150</b>	ND (VT) <b>175</b>	HD (CT) <b>131</b>	ND (VT) <b>147</b>		



Approved By:	Brian Smith	Drawing No:	A510-690-150-F6	Revision: 1
--------------	-------------	-------------	-----------------	-------------